

# 3000 Watts

## HPS3KW



Total Power: **3000 Watts**  
Input Voltage: **180-264 VAC**  
# of Outputs: **Single**

### Electrical Specs - \* Module only

#### Input

Input Range	180-264VAC
Frequency	47 - 63 Hz
Inrush Current	100A (peak)
Efficiency	85% typical at full load
EMI Filter	CISPR22 Class A
Power Factor	0.98 typical
Leakage Current	1.16 mA @ 240 VAC

#### Output

DC Voltage	51.4V @ 57A*
	5Vsb @ 5A
Adjustment Range	± 5%
Supervisory Output	5V @ 5A
Hold Up Time	20ms
Over Current	51.4V: 110% - 150%
	5Vsb: 101% - 125%
Over Voltage	60V Max

#### Logic Control

ENABLE	Requires contact closure from "PSON" to 5Vsb return.
AC OK	TTL signal LOW
POWER FAIL	TTL signal LOW; goes HIGH in the event of failure
POWER GOOD	TTL logic signal goes high 100-1000 msec after 48VDC output. It goes LOW at least 1ms before loss of regulation.

\*10% Minimum load required.

### Special Features - \* Module only

- Active Power Factor Correction
- EN61000-3-2 Harmonic Compliance
- Remote INHIBIT
- Single Wire Parallel
- Built-in EMI Filter
- Low Output Ripple
- +5V standby Output
- Built-in Cooling Fans
- Over Current Protection
- Over Voltage Protection
- Over Temperature Protection
- Hot Swap
- Built-in OR'ing Diodes

### Environmental - \* Module only

Operating Temperature: +5°C to 40°C

Non-Operating Temperature: -40° to +70°C

Electromagnetic Susceptibility: Designed to meet EN61000-4-2, -4-3, 4-4, -4-5 Level 3

Humidity: 5 to 95% RH, non-condensing

Operating: Sinusoidal Vibration - 0.25G zero to peak, 10 to 500Hz, 0.25 oct/min in each three mutually perpendicular axes. Random vibration - 0.002 G<sup>2</sup>/Hz, 10 to 500Hz, nominal 1G rms.

Non-operating: Sinusoidal Vibration - 0.75G zero to peak, 10 to 500Hz, 0.50 oct/min in each three mutually perpendicular axes. Random vibration - 0.008 G<sup>2</sup>/Hz, 10 to 500Hz, nominal 2G rms.

MTBF (demonstrated): >500Khrs at full load, 40°C

### Safety - \* Module only

UL 60950 (UL Recognized)  
NEMKO EN60950  
TUV EN60950  
CE Mark

# HPS3KW Module

## AMERICAS

5810 Van Allen Way  
Carlsbad, CA 92008  
Telephone: 760-930-4600  
Facsimile: 760-930-0698

## EUROPE

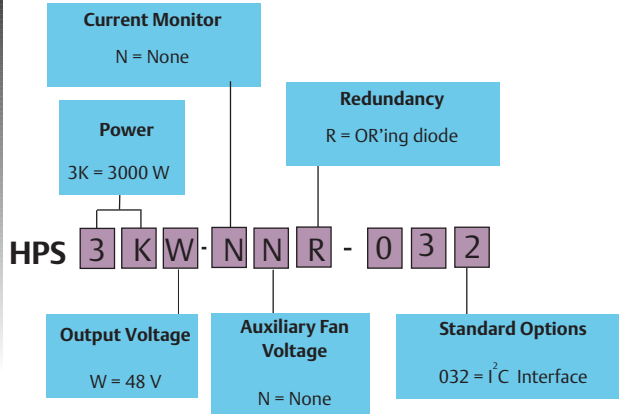
Astec House, Waterfront Business Park  
Merry Hill, Dudley  
West Midlands, DY5 1LX, UK  
Telephone: 44 (1384) 842-211  
Facsimile: 44 (1384) 843-355

## ASIA

Units 2111-2116, Level 21  
Tower 1, Metroplaza  
223, Hing Fong Road  
Kwai Fong, New Territories  
Hong Kong  
Telephone: 852-2437-9662  
Facsimile: 852-2402-4426



## Ordering Information



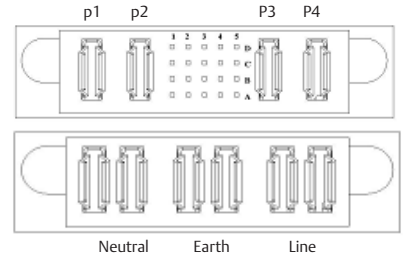
## DC Output Connector Pinout Assignment

	Signal Pins				
	1	2	3	4	5
D	5Vsb	5Vsb rtn	PSON	SCL	A0
C	5Vsb	5Vsb rtn	PRESENT	SCL/SDA RTN	A1
B	5Vsb	5Vsb rtn	PSKI LL	SDA	A2
A	48LS	AC OK	PWOK	FAIL	Reserved

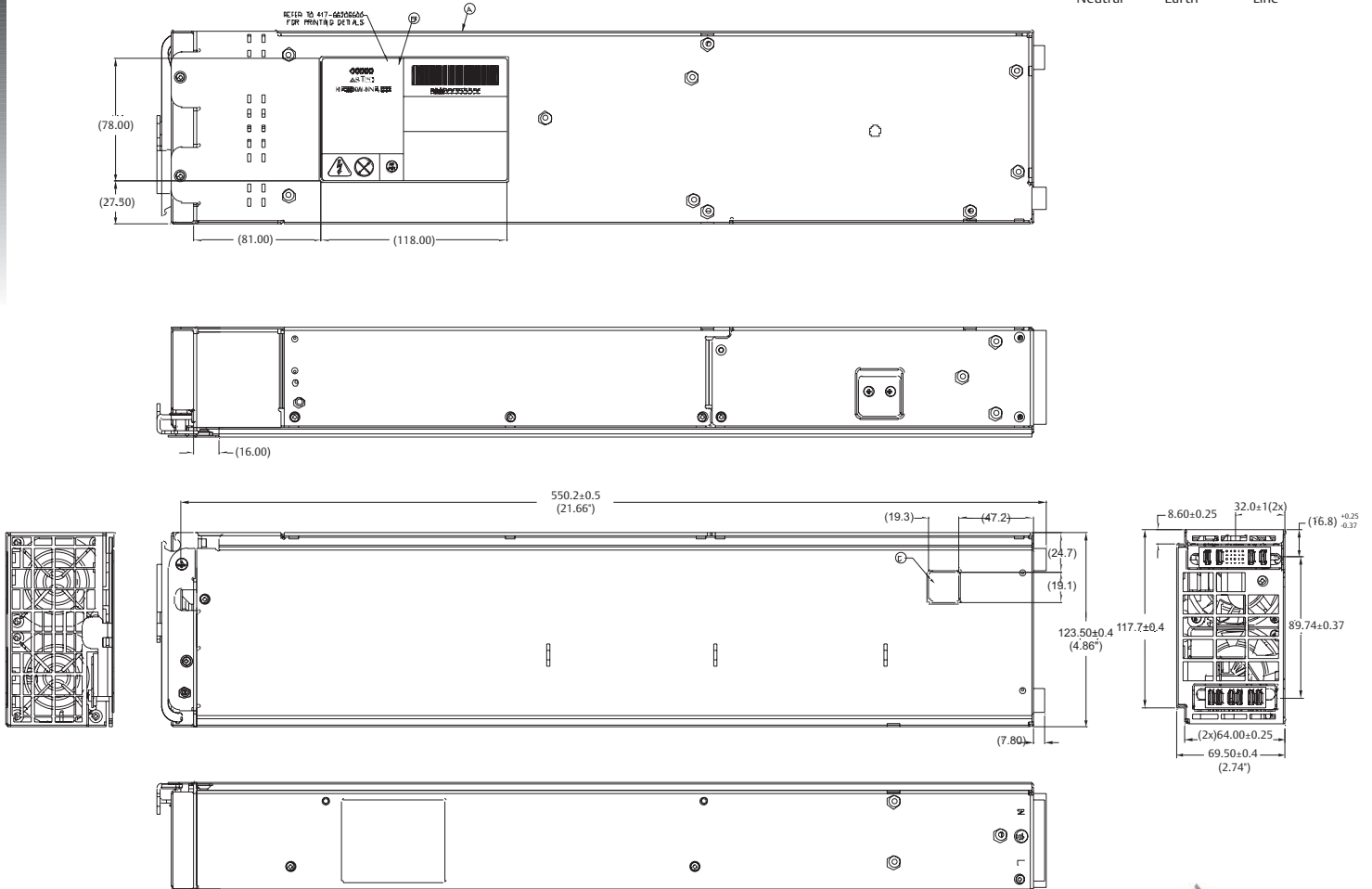
  

Power Blades	
P1, P2 48VDC RETURN	P3, P4 48VDC

DC OUTPUT CONNECTOR: FCI 51874-001  
DC OUTPUT MATING CONNECTOR: FCI 51875-001



## Mechanical Drawings



# HPS3KW Rack

## Ordering Information

- Hot Swap
- Can accommodate up to 18KW of bulk power
- Easy AC input connect
- Easy DC output connect

